

FULLY
BALANCED
PREAMPLIFIER

| M6PRE



Instructions for use

Thank you for purchasing the Musical Fidelity M6PRE fully balanced dual mono pre-amplifier.

This preamplifier is designed with high quality control and balanced sources in mind. Two FULLY balanced inputs take care of balanced audio for the best in signal to noise, transient reproduction and dynamic range from balanced sources. The outputs are also balanced allowing connection of balanced input power amplifiers to realise a fully balanced system from source to speakers.

The M6PRE is designed to be partnered with present and future M6 series products or alternatively, may be used with any other high quality hi-fi components. This combination yields one of the best high-fidelity systems available at any price.

Used properly and carefully, it should give many years of outstanding musical reproduction.

Dust regularly with a soft duster or soft brush, but be careful when using cleaning or polishing agents - they may harm the surface finish.

If there are any questions about the audio system, please consult the dealer who is there to help and advise.

Section	Page
Safety Information	3
– Mains plug (UK only)	
– Modification warning	
General advice	4
– Installation precautions	
Disposal information	5
– EU disposal information	
Installation	6
– Introduction, cleaning, installation, power connections, audio connections	
Facilities and connections	7
– Illustrations, main unit front & rear panels	
Remote control handset	8
– Operation and illustration	
Operation	9
– Starting,	
– Volume	
– Mute	
– PHONO	
– CD	
– TUNER	
– AUX/HT	
– TAPE	10
– TAPE MONITOR	
– BALANCED 1/HT	
– BALANCED 2	
– USB input	11
Problems?	12
– Basic fault finding	
Specifications	13
Manual history	14

IMPORTANT! (U.K. only)

This unit is supplied in the U.K. with mains lead fitted with a moulded 13 amp plug. If, for any reason, it is necessary to remove the plug, please remove the fuse holder and dispose of the plug safely, out of reach of children.


It must not be plugged into a mains outlet.

The wires in the mains lead supplied with this appliance are coloured in accordance with the following code:

Green and yellowEarth
Blue..... Neutral
BrownLive

WARNING – This appliance MUST be earthed

As the colours of the wires of the mains lead of this appliance may not correspond with the coloured markings identifying the terminals in the plug, proceed as follows:

- The wire which is coloured green-and-yellow must be connected to the terminal in the plug which is marked with the letter E or coloured green or green-and-yellow, or by the earth symbol: 
- The wire which is coloured brown must be connected to the terminal which is marked with the letter L or coloured red.
- The wire which is coloured blue must be connected to the terminal which is marked with the letter N or coloured black.
- If connecting to a BS1363 plug, a 13 amp fuse must be used.

WARNING:

ANY MODIFICATIONS TO THIS PRODUCT NOT EXPRESSLY APPROVED BY MUSICAL FIDELITY WHO IS THE PARTY RESPONSIBLE FOR STANDARDS COMPLIANCE COULD VOID THE USER'S AUTHORITY TO OPERATE THIS EQUIPMENT.

Installation, Precautions & User Information

This new M6PRE is designed and built to provide trouble-free performance, but as with all electronic devices it is necessary to observe a few precautions:

- Heed all warnings shown on the back of the product.
- Only connect the M6PRE to a mains outlet having the same voltage as marked at the back of the unit.
- Always ensure that when disconnecting and reconnecting your audio equipment the mains supply is switched off.
- Position the mains lead and signal interconnects where they are not likely to be walked on or trapped by items placed on them.
- Do not use near water, or place water-filled containers on the M6PRE, for example, a flower vase or potted plants. **If water does spill inside, immediately pull out the mains plug from the wall socket and inform your dealer, who should then check the unit before further use. Entry of liquid into the M6PRE is dangerous, and may cause electric shock or fire hazard.**
- Do not place the unit near direct heat sources such as radiators, direct sunlight or other equipment.
- Do not remove any covers or try to gain access to the inside. There are no internal adjustments or fuses you can replace yourself. Refer all service work to an authorised Musical Fidelity agent.
*** Note: Unauthorised opening of the equipment will invalidate any warranty claim.**
- Dust regularly with a soft cloth or soft brush but be careful when using cleaning or polishing agents - they may harm the surface finish.

The electronics in modern hi-fi equipment is complex and may, therefore, be adversely affected or damaged by lightning. For protection of the audio system during electrical storms, remove the mains plugs.

If after-sales service is required, to help the dealer identify the M6PRE please quote the serial number located on the rear panel of the unit.

**DISPOSAL**

The crossed out wheeled bin label that appears on the back panel of the product indicates that the product must not be disposed of as normal household waste. To prevent possible harm to the environment please separate the product from other waste to ensure that it can be recycled in an environmentally safe manner. Please contact local government office or retailer for available collection facilities.

**DISPOSITION**

La poubelle sur roulettes barrées X, qui apparaît en logo sur le panneau arrière du produit, indique que celui-ci ne doit pas être traité comme un déchet domestique commun. Afin de protéger l'environnement, ce produit électronique devra être géré séparément et donc recyclé selon les nouvelles normes Européennes Rohs concernant les déchets d'appareils électroniques. Prière de contacter les services concernés gouvernementaux ou votre point de vente pour l'élimination et l'enlèvement de déchets électroniques équipés de composants électroniques.

**DISPOSAL**

La etiqueta cruzada hacia fuera del compartimiento que aparece en el panel trasero del producto indica que el producto no se debe reciclar como basura normal de la casa. Para prevenir daños posible al ambiente separe por favor el producto de otras basura para asegurarse de que puede ser reciclada de una manera ambientalmente segura. Entre en contacto por favor a su oficina gubernamental local o a su minorista para las instalaciones disponibles de la colección.

**RIFIUTI**

L'etichetta del cassonetto barrato riportato sul retro dell'apparecchio indica che il prodotto non deve essere smaltito tramite la procedura normale di smaltimento dei rifiuti domestici. Per evitare eventuali danni all'ambiente, separare questo prodotto da altri rifiuti domestici in modo che possa venire riciclato in base alle procedure di rispetto ambientale. Per maggiori dettagli sulle aree di raccolta disponibili, contattate l'ufficio govenativo locale od il rivenditore del prodotto.

**FACHGERECHTE ENTSORGUNG:**

Das auf der Geräterückseite angebrachte Label deutet darauf hin, dass das Produkt nicht mit konventionellem Hauskehricht entsorgt werden darf. Um Schäden und Verschmutzungen an Umwelt und Mensch zu vermeiden, muss das Produkt fachgerecht entsorgt und von anderem Abfall getrennt werden. Wenden Sie sich bei Fragen hierzu an Ihren Fachhändler oder an eine öffentliche Informationsstelle.

**AFVAL**

Het label op de achterzijde van dit apparaat, een afvalbak op wielen met een kruis doorgehaald, geeft aan dat dit apparaat niet samen met gewoon huishoudafval mag worden weggegooid. Om mogelijke schade aan onze leefomgeving te voorkomen dient dit apparaat, gescheiden van gewoon huishoudelijk afval, te worden afgevoerd zodat het op een milieuvriendelijke manier kan worden gerecycled. Neem voor beschikbare inzamelplaatsen contact op met uw gemeentelijke reinigingsdienst of met uw elektronica leverancier.

**HÄVITTÄMINEN**

Yliuksattua jäteastiaa kuvaava tarra tuotteen takalevyssä kertoo, että tuotetta ei saa käsitellä normaalina talousjätteenä. Ympäristön suojelemiseksi on tuote pidettävä erillään muusta jätteestä ja se on kierrätettävä ekologisesti kestäväällä tavalla. Ota yhteyttä laitteen myyjään tai Pirkanmaan Ympäristökeskukseen lähimmän kierrätyskeskuksen löytämiseksi.

**AFSKAFNING**

Logoet med en skraldespand med kryds over på bagsiden af apparatet indikerer at dette produkt ikke må kasseres som normal husholdningsaffald. For at forebygge mulig skade på miljøet, bedes De separere dette produkt fra andet affald, og sikre at det bliver genbrugt på en miljørigtig måde. Kontakt venligst de lokale myndigheder eller din forhandler for oplysning om nærmeste tilgængelige opsamlingssted for elektronikaffald.

**ΔΙΑΔΙΚΑΣΙΑ ΑΠΟΡΡΙΨΗΣ**

ΤΟ ΣΗΜΑ ΜΕ ΤΟΝ ΔΙΑΓΕΓΡΑΜΜΕΝΟ ΤΡΟΧΗΛΑΤΟ ΚΑΔΟ ΑΠΟΡΡΙΜΑΤΩΝ ΣΤΗΝ ΠΙΣΩ ΟΨΗ ΤΟΥ ΜΗΧΑΝΗΜΑΤΟΣ

ΔΗΛΩΝΕΙ ΟΤΙ ΤΟ ΠΡΟΙΟΝ ΑΥΤΟ ΔΕΝ ΠΡΕΠΕΙ ΝΑ ΔΙΑΧΕΙΡΙΣΘΕΙ ΣΑΝ ΣΥΝΗΘΙΣΜΕΝΟ ΟΙΚΙΑΚΟ ΑΠΟΒΛΗΤΟ. ΠΡΟΣ ΑΠΟΦΥΓΗ ΕΝΔΕΧΟΜΕΝΗΣ ΕΠΙΒΑΡΥΝΣΗΣ ΤΟΥ ΠΕΡΙΒΑΛΛΟΝΤΟΣ, ΞΕΧΩΡΙΣΤΕ ΤΟ ΠΡΟΙΟΝ ΑΠΟ ΤΑ ΆΛΛΑ ΑΠΟΡΡΙΜΑΤΑ ΩΣΤΕ ΝΑ ΕΞΑΣΦΑΛΙΣΘΕΙ Η ΑΝΑΚΥΚΛΩΣΗ ΤΟΥ ΜΕ ΤΟΝ ΠΡΕΠΟΝΤΑ ΤΡΟΠΟ. ΠΑΡΑΚΑΛΟΥΜΕ ΝΑ ΕΠΙΚΟΙΝΩΝΗΣΕΤΕ ΜΕ ΤΗΝ ΤΟΠΙΚΗ ΥΠΗΡΕΣΙΑ ΑΝΑΚΥΚΛΩΣΗΣ Η ΜΕ ΤΟ ΚΑΤΑΣΤΗΜΑ ΑΓΟΡΑΣ ΓΙΑ ΠΕΡΙΣΣΟΤΕΡΕΣ ΛΕΠΤΟΜΕΡΕΙΕΣ.

Introduction

Congratulations on the purchase of the new M6PRE preamplifier. Great attention has been paid to internal layout, isolating each circuit section to prevent possible interaction.

The unit features a finely tuned and tweaked preamplifier, for smooth sound coupled with low noise and virtually no distortion.

The preamplifier consists of two monoblock balanced amplifiers with generously rated supplies for the absolute best in separation and imaging. Low distortion and very quiet they will deliver all music types exactly as the artist originally intended.

The resultant performance achieved by this unit is among the best in the world. It has excellent signal to noise ratio, low distortion, wide bandwidth and dynamic range, with extraordinary resolution and fine detail.

Cleaning

Before cleaning the unit, switch off power at the mains switch and remove the mains plug from the wall socket.

Clean the cabinet and remote control unit using a moist cloth. Using solvents, white spirit or thinners is not advised, as they could damage the surface finish.

Installation

Position the M6PRE on a stable, horizontal surface where there is no risk of it being knocked, or subjected to vibration such as from loudspeakers.

Important note:

The M6PRE must be protected from humidity – if the unit is moved from a cold place to a warm room, leave the unit for an hour or so to allow sufficient time for the moisture to evaporate.

Power Connections

The M6PRE is supplied with a standard IEC mains cable which plugs into the IEC socket at the back of the unit (see page 7)

Audio Connections

RCA Inputs: Connect all RCA single-ended sources to relevant analogue inputs (see page 7 for more information). Use good quality fully connected (signal and ground) coaxial phono cables for all RCA signal connections.

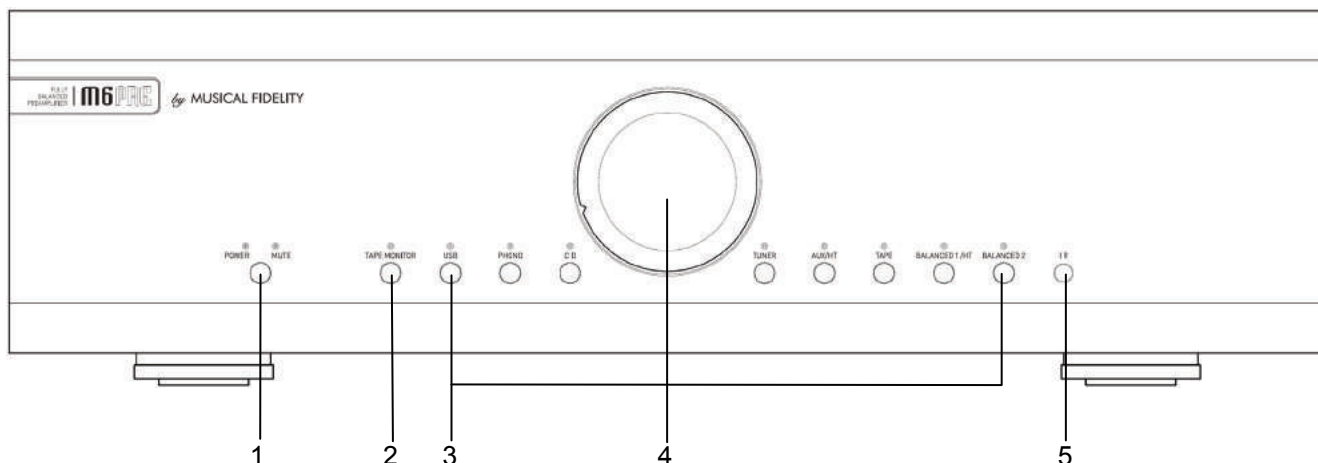
XLR Inputs: Connect any XLR balanced source to desired balanced analogue inputs (see page 7 for more information). Use good quality fully connected (signals and ground) balanced XLR cables for all XLR signal connections.

USB Input: Connect a desktop or laptop computer directly to the M6PRE USB input to allow digital audio from computer to be heard through the hi-fi. Use a good quality screened USB cable for very best results.

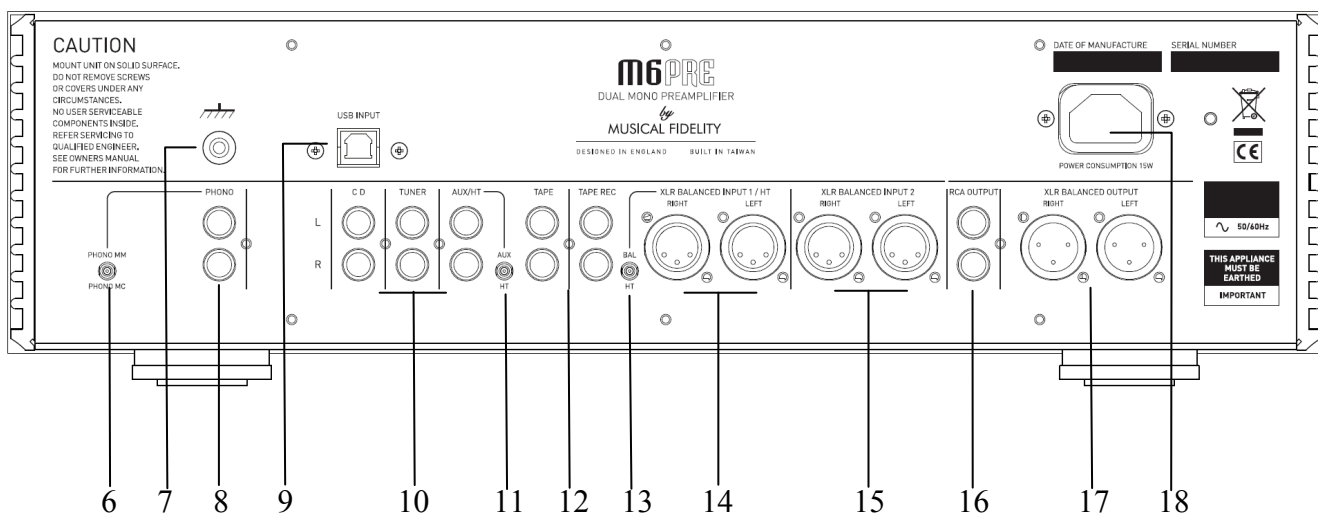
TAPE Output: Direct loop through of *selected* source. The level of this output is unaffected by the volume control, to pass on to a recorder or other equipment. It is also the ideal output for standalone headphone amplifiers (incorporating their own volume control).

RCA Outputs: Connect all RCA single-ended power amplifier(s) to RCA analogue outputs (see page 7 for more information). Use good quality fully connected (signal and ground) coaxial phono cables for all RCA signal connections.

XLR Outputs: Connect any XLR balanced power amplifier(s) to XLR analogue outputs (see page 7 for more information). Use good quality fully connected (signals and ground) balanced XLR cables for all XLR signal connections.



- | | |
|--|---------------------------|
| 1 ON/OFF Button | 4 VOLUME control |
| 2 TAPE MONITOR button | 5 IR RECEIVER lens |
| 3 USB, PHONO, CD, TUNER, AUX/HT, TAPE
BALANCED 1/HT, BALANCED 2 input
selector buttons | |



- | | |
|---|---|
| 6 PHONO MM/MC switch | 13 BALANCED HT/AUX Selector for XLR
balanced input 1/HT |
| 7 GROUND post for turntable | 14 XLR BALANCED right and left inputs 1/HT |
| 8 PHONO inputs | 15 BALANCED XLR right and left inputs 2 |
| 9 USB input type 'B' from computer | 16 RCA main outputs left and right |
| 10 CD, TUNER, AUX/HT RCA inputs | 17 BALANCED XLR main outputs left and right |
| 11 HT/AUX Selector for HT/AUX inputs | 18 IEC MAINS INPUT |
| 12 TAPE input and output RCA sockets | |

The universal remote control shown below enables functions from this and related units to be operated from a convenient distance.

Equivalent buttons on the remote control have the same functions as those on the front panel of the unit. Other functions are only available by remote control.

As the handset uses an invisible infra-red light beam, the front edge must be pointed directly towards the receiver window at the front of the player, without visual obstruction between them.

If the range of the remote control greatly decreases, replace the batteries with new ones. Do not mix old and new batteries – two are required, size AAA, LR03 or SUM-4.

Please dispose of used batteries in accordance to local regulations.

CD Digital input section

CD - selects internal CD player (on CD)

SPDIF – selects SPDIF (RCA coax) input

Amplifier section

USB – selects USB input (on amplifier)

PHONO - selects phono input

CD - selects CD input (on amplifier)

TUNER - selects TUNER input

AUX/HT - selects AUX/HT input

TAPE - selects TAPE input

BAL 1 /HT- selects balanced1/HT input

BAL 2 - selects balanced 2 input

CD player section

TIME – displays track time/time remaining

0-9 Buttons – Used to select track numbers

CHECK – check pre-programmed tracks

PROGRAM – programs selection and order of tracks

INTRO – plays first 10 seconds of each track

REPEAT – repeats whole disk or selected tracks

SEARCH – fast forward/backward through track

STOP – Stop playing/Eject CD



OPTICAL – selects optical input

USB – selects USB input (on CD)

MUTE - mutes speaker outputs (until pressed again).

VOLUME ▲ - increases volume

VOLUME ▼ - reduces volume

DISPLAY – dims display

CLEAR – clears selected pre programmed track

A/B sets repeat start/end to repeat section of track

SHUFFLE – plays back tracks in random order

TRACK – next/previous track

PAUSE/PLAY – stop/start CD playback

Starting

Once all connections are made, switch on the unit, using the **POWER** button front of the unit. The **MUTE** LED will light. Outputs are muted for about 6 seconds, so no sound will be heard from the speakers. Once the 6 seconds is up the **MUTE** LED goes out, indicating unit is settled, and ready for use.

Volume

The volume should be adjusted for normal listening levels. This is done by turning the volume up/down knob on the front panel. Adjusting the volume can also be achieved using the remote handset, using the volume up/down buttons (see page 8).

Mute (Remote Control only)

The output may be muted by use of the **MUTE** button on the remote. Press once, and **MUTE** LED will light indicating muted state. No sound will be heard from the speakers.

To return to listening; simply press the **MUTE** button again so **MUTE** LED is no longer lit.

Phono

To use the **PHONO** input, connect record deck outputs to the **PHONO** input RCA sockets (see page 7). Set the correct cartridge type using the **MM/MC** switch. Select **PHONO** input by pressing the **PHONO** button so **PHONO** LED is lit. Selecting the **PHONO** input can also be achieved by pressing the corresponding button on the remote handsets (see page 8).

CD

To use the **CD** input, connect CD player outputs to the **CD** input RCA sockets (see page 7). Select **CD** input by pressing the **CD** button so **CD** LED is lit. Selecting the **CD** input can also be achieved by pressing the corresponding button on the remote handsets (see page 8).

Tuner

To use the tuner input, connect tuner outputs to the **TUNER** input RCA sockets (see page 7). Select **TUNER** input by pressing the **TUNER** button so **TUNER** LED is lit. Selecting the **TUNER** input can also be achieved by pressing the corresponding button on the remote handset (see page 8).

AUX/HT

To use the **AUX** input as a standard input, move the AUX/HT switch on the back panel to the AUX position. Connect source outputs to the **AUX** input RCA sockets (see page 7). Select **AUX** input by pressing the **AUX** button so **AUX** LED is lit. Selecting the **AUX** input can also be achieved by pressing the corresponding button on the remote handset, (see page 8).

To use the AUX/HT input as a HT input, move the AUX/HT switch to the HT position. This input is now unaffected by the volume control, allowing volume control on an external Home Theatre processor to be used directly. Connect Home theatre or other source outputs to the **AUX** input RCA sockets (see page 7). Select **AUX** input by pressing the **AUX** button so **AUX** LED is lit.

IMPORTANT: Take great care when using the input in HT mode. Ensure that the volume control is turned right down on the HT processor when first setting up. The HT mode is designed for sources which require their own volume control to be used. Connecting sources in HT mode with no volume control could result in damage to hearing and/or speakers due to uncontrolled loud sounds.

TAPE

To use the **TAPE** input, connect external source to the **TAPE** input (see page 7). Select **TAPE** input by pressing the **TAPE** button so **TAPE** LED is lit. Selecting the **TAPE** input can also be achieved by pressing the corresponding button on the remote handset (see page 8).

TAPE MONITOR

To record to tape, CD recorder, DAT, minidisk or computer soundcard analogue input, connect the tape out to the recorder line in. Press the input selector button on the front panel or remote control. This source will now be routed to the M6PRE **TAPE OUT** for recording by tape deck.

The recording can be directly monitored through the loudspeakers by pressing the **TAPE MONITOR** button so the **TAPE MONITOR LED is lit**. Press again to return back to the original input being listened to (and **TAPE MONITOR** LED is out again).

On some 3 head tape decks there is an additional tape/source switch which should be in the 'TAPE' position for this to work. If in doubt, please consult tape deck operating manual.

Note – the M6PRE volume control has no effect on the TAPE OUT signal.

BALANCED 1/HT

To use the **BALANCED 1/HT** input as a standard input, connect balanced source outputs to the **BALANCED 1/HT** input XLR sockets (see page 7). Select the **BALANCED 1/HT** input by pressing the **BALANCED 1/HT** button so **BALANCED 1/HT** LED is lit. Selecting the **BALANCED 1/HT** input can also be achieved by pressing the corresponding button on the remote handset (see page 8).

To use the **BALANCED 1/HT** input as a HT input, move the **BAL/HT** switch to the HT position. This input is now unaffected by the volume control, allowing volume control on an external Home Theatre processor to be used directly. Connect Home theatre or other source outputs to the **AUX** input XLR sockets (see page 7). Select **BALANCED 1/HT** input by pressing the **BALANCED 1/HT** button so **BALANCED 1/HT** LED is lit.

***IMPORTANT:** Take great care when using the input in HT mode. Ensure that the volume control is turned right down on the HT processor when first setting up. The HT mode is designed for sources which require their own volume control to be used. Connecting sources in HT mode with no volume control could result in damage to hearing and/or speakers due to uncontrolled loud sounds.*

BALANCED 2

To use the **BALANCED 2** input, connect balanced source outputs to the **BALANCED 2** input XLR sockets (see page 7). Select the **BALANCED 2** input by pressing the **BALANCED 2** button so **BALANCED 2** LED is lit. Selecting the **BALANCED 2** input can also be achieved by pressing the corresponding button on the remote handset (see page 8).

USB input

For the USB input, the LED will flash in absence of digital input signal. When a signal is present, the LED will light continuously.

Computer setup for input USB input

A good quality USB A to B cable is required to connect the unit to the computer.

Plug the B (square) end into the socket in the back of the M6PRE

Plug the A (rectangle) end into a free USB socket on the computer.

The computer should detect the new hardware and install a generic driver automatically (No setup or driver disk required).

CD, MP3, WAV files played on any software should now play through the M6PRE. This device has been designed to work with PC Windows 98, ME, 2000, XP as well as Apple Macintosh OS X.

Please note:

This device is a high speed serial data processor, and by its nature, requires a very high volume of USB bandwidth. It will benefit greatly from being the only device connected on its USB 'bus'. Sharing the same bus with other devices may cause unwanted artefacts such as dropouts or temporary loss of signal. This especially includes the use of the M6PRE on a USB hub/splitter alongside other USB components

PC users-

Check the computer has picked up the device and is currently using it by clicking: (most Windows versions)

- Start
- Settings
- Control panel
- Sounds and Multimedia
- Audio

Check that "USB audio device" appears under PREFERRED AUDIO DEVICE tab

A second mixer will now be available which will be the default mixer whenever the M6PRE is plugged in. Use this mixer to select the source or adjust levels if required.

Mac users-

Check the computer has picked up the device and is currently using it by clicking: (MAC OS X)

- System preferences
- Hardware
- Sound

Check that "USB audio DAC" is selected under the OUTPUT tab.

If the computer's warning sounds/chimes are to played through the M6PRE, make sure it is selected under the SOUND EFFECTS tab too.

Note: USB may also be selected as an output in some individual programs

Basic problem-solving with an amplifier is similar to troubleshooting other electrical or electronic equipment. Always check the most obvious possible causes first, such as the following examples:

Problem	Probable Cause	Remedy
No power when POWER button is pressed.	Mains power plug is not fully inserted into rear socket.	Plug in securely.
No sound	Mute function is still active. Wrong connections between input sources and the unit Outputs not connected, or incorrectly wired	Press the MUTE button on the remote control to cancel. Check audio input lead connections. Check output cables.
Sound cut	Loose connection	Check output and input connections.
Hum.	Audio connector plug not fully pushed in Cable Fault Unsuitable cable (e.g. cable grounds not connected)	Insert plug securely. Check cable is connected at both ends. N.B. Some esoteric cables have internal wiring intentionally disconnected/modified. For best results on all inputs analogue AND digital, please use good quality screened coax; signal and screens both separately connected at both ends.
No audio output, or too low level output.	Incorrect or missing connections	Check connections and make sure they are secure.
No audio output from USB input	USB Cable not connected USB Driver not selected (PC or MAC)	Check connections and make sure they are secure. See P.9 <u>PC users</u> or <u>Mac users</u> section
Not detected when connected to USB	USB Cable faulty USB not working/enabled on computer Correct USB drivers not installed (can happen particularly with factory-preinstalled Windows operating systems)	Check and replace cable Check USB port functions with another device. Please check with the computer manufacturer. Enquire about USB driver or update.
Dropouts in sound (USB input)	Shared USB port with another device Computer busy with another application Computer low on resources	Avoid sharing the USB port with other devices, if possible. At times an application (program) may intervene, sometimes invisibly e.g. a virus scanner. When this happens, computer resources are temporarily used up, and playback may falter. This is not a fault. Try running fewer applications if possible.
Remote control does not work.	Amplifier's POWER switch is set to off. One or more batteries fitted the wrong way round. Batteries are flat. Remote control is not pointed directly towards the front panel of the amplifier. Interference from another source.	Set switch to on. Insert batteries correctly. Change batteries for a new set. Ensure there is no obstruction between the remote control and amplifier front. Lighting such as fluorescent, incandescent, or even sunlight contains large amounts of infra red radiation. Ensure such sources are not shining directly on the infra red window as this could swamp the signal from the remote control. Also check the system and any other nearby remotes for stuck buttons.
Remote control range has greatly reduced	Batteries are running out	Change batteries for a new set.

If none of these actions affect a cure, please contact the dealer, or an authorised Musical Fidelity service agent. Remember; never open the case of the M6PRE, as this will invalidate the guarantee.

Output

Voltage

RCA single ended

9.5Vrms
26V peak to peak
47Ω

XLR balanced

19Vrms
52V peak to peak
47Ω

Output impedance

Line inputs

THD+N, 20Hz to 20 kHz
Signal / noise ratio
Input sensitivity for full output
Input impedance
Overload margin
Channel separation
Frequency response

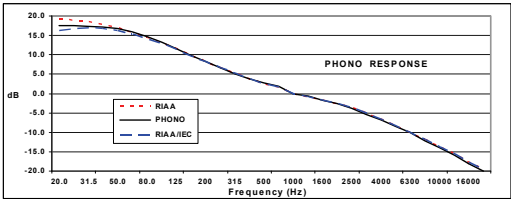
<0.005%
>96dB 'A'-weighted
2.2V
75KΩ
12dB
>96dB
+0, -1dB, 10Hz to 80 kHz

<0.004%
>96dB 'A'-weighted
4.4V
150KΩ
12dB
>96dB

Phono inputs

Input sensitivity
Frequency response
Signal / noise ratio
Input impedance
Overload margin

3.5mV (MM) 440μV (MC)
RIAA/IEC see graph
81dB 'A'-weighted
47KΩ
29dB



Connections

Phono MM/MC inputs

1 pair MM/MC level RCA connectors

Line inputs

2 pairs line level XLR (balanced) connectors
4 pairs line level RCA connectors

Line outputs

1 pair line level RCA connectors, constant level TAPE outputs
1 pairs line level XLR (balanced) connector outputs
1 pair line level RCA connector outputs

USB input

USB type "B" (square) socket

Power requirement

Mains voltages

115/230VAC 50/60Hz (factory pre-set)
100VAC 50/60Hz (alternative)

Consumption

15 Watts

Weight

Unit only, unboxed

11.4 kg (25 lbs)

In shipping carton

16 kg (35¼ lbs)

Dimensions

Wide

440mm (17⅓ ")

High, including feet

126mm (5 ")

Deep (front to back) including terminals

400mm (15¾ ")

Standard accessories

IEC type mains lead (10-Amp type)
M6PRE remote control
Batteries, LR03 or AAA, manganese alkaline type - 2 off

Musical Fidelity reserves the right to make improvements which may result in specification or feature changes without notice.





MANUAL HISTORY

RELEASE	DATE	CHANGES
Issue 1	14 th October 2009	1 st issue