

innuos



STATEMENT Quick Start Guide



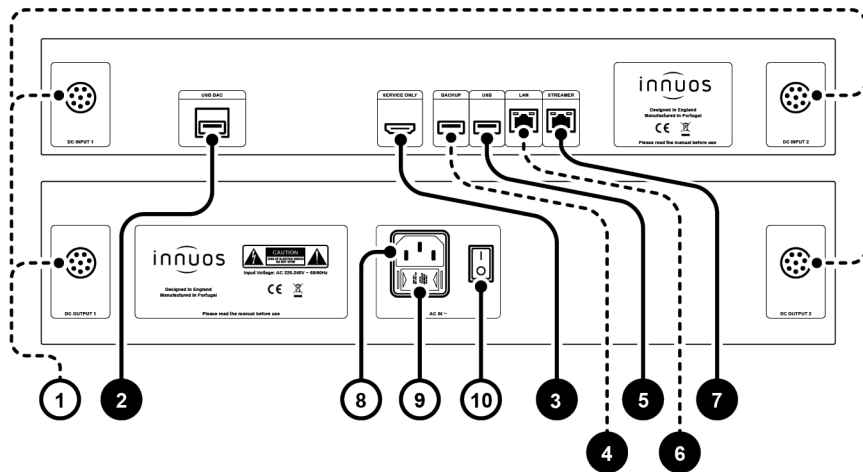
Thank you for buying our Music Server.

This quick start guide will show you how to get started with your new Music Server.

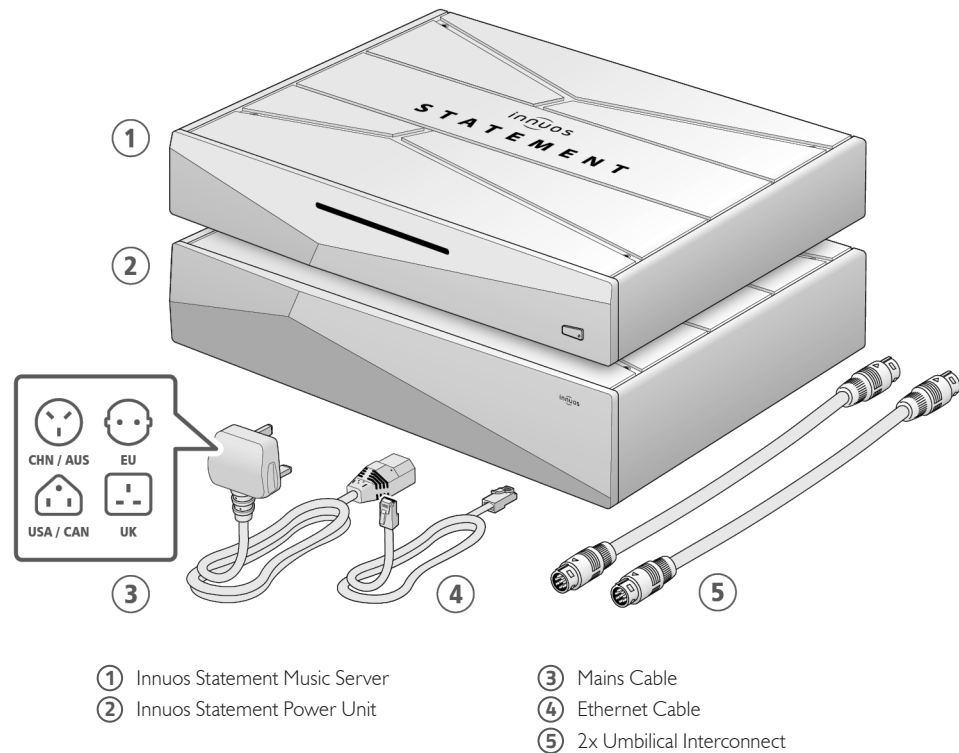
For more detailed information please read our innuOS manual innuos.com/en/go/innuos-manual

Should you have problems please contact support@innuos.com and we'll be happy to assist you.

1	Statement Rear Panel Diagram	2
2	Box Contents	3
3	Connect your System to mains power	4
4	Connect your System to your home network	5
5	Connect Network Audio Device to Streamer Port	6
6	Turn on your System	7
7	Update innuOS software to the latest version	8
8	Adding music to your System	9
9	Using your System as a Player	11
10	Connecting to a UPnP / DLNA system	12
11	Using Player Apps	13
12	Connecting to a Sonos system	16
13	Using your System with Roon	18
14	Turn off your System	20

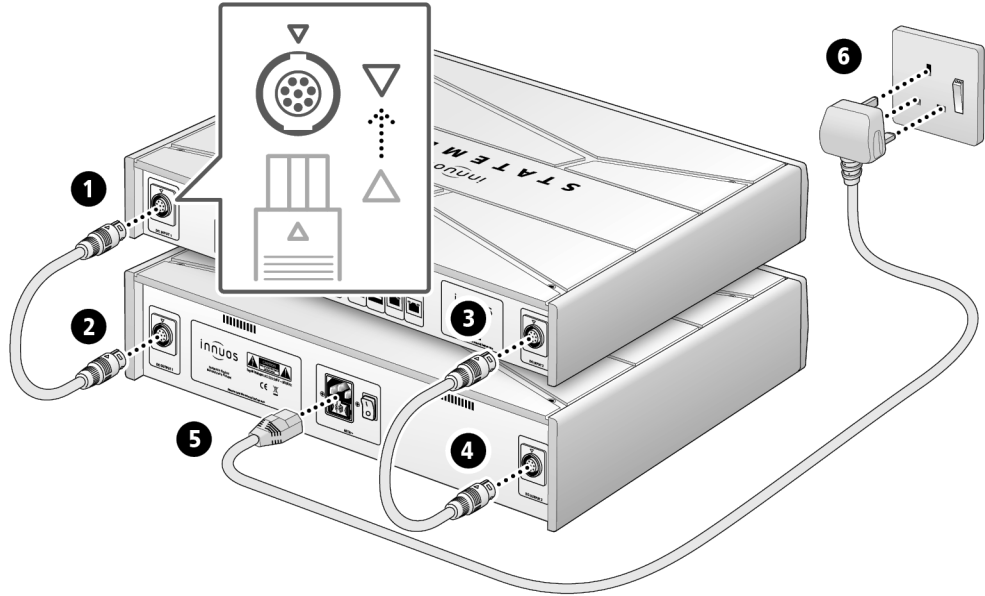


- | | |
|---|---|
| 1 Umbilical Power Connections | 7 Re-clocked Ethernet Streamer Output Port |
| 2 Re-clocked USB DAC output | 8 Mains Power Connector |
| 3 HDMI Output (Service Only) | 9 Fuse Box |
| 4 USB for Backup Drive (USB 3.0) | 10 On/Off Switch |
| 5 USB output (USB 2.0) | |
| 6 Re-clocked Ethernet Input Port | |



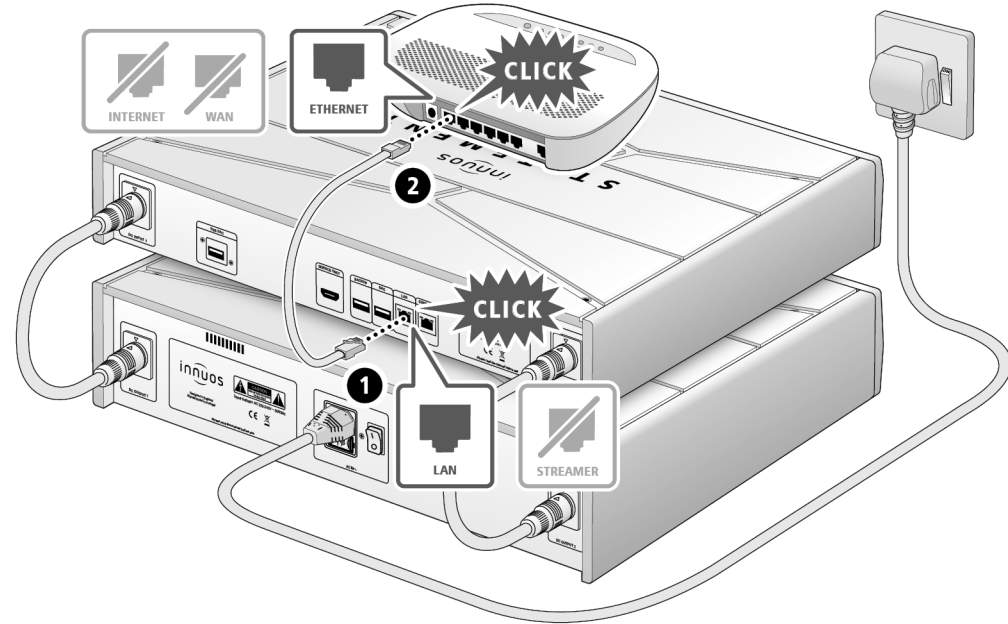
- | | |
|--|------------------------------------|
| 1 Innuos Statement Music Server | 3 Mains Cable |
| 2 Innuos Statement Power Unit | 4 Ethernet Cable |
| | 5 2x Umbilical Interconnect |

3 Connect your System to mains power

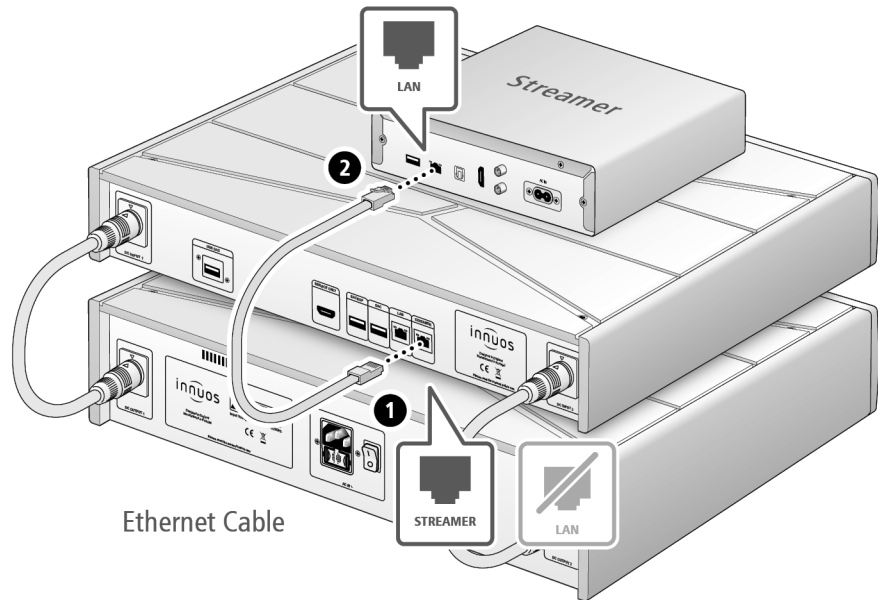


4 Connect your System to your home network

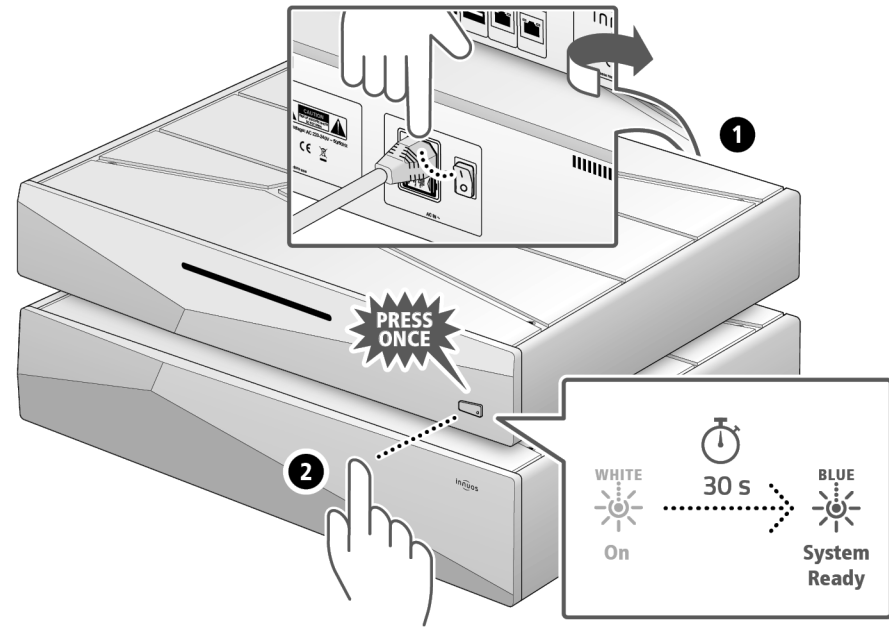
Wired to the Internet Router



OPTIONAL Not required for server operation

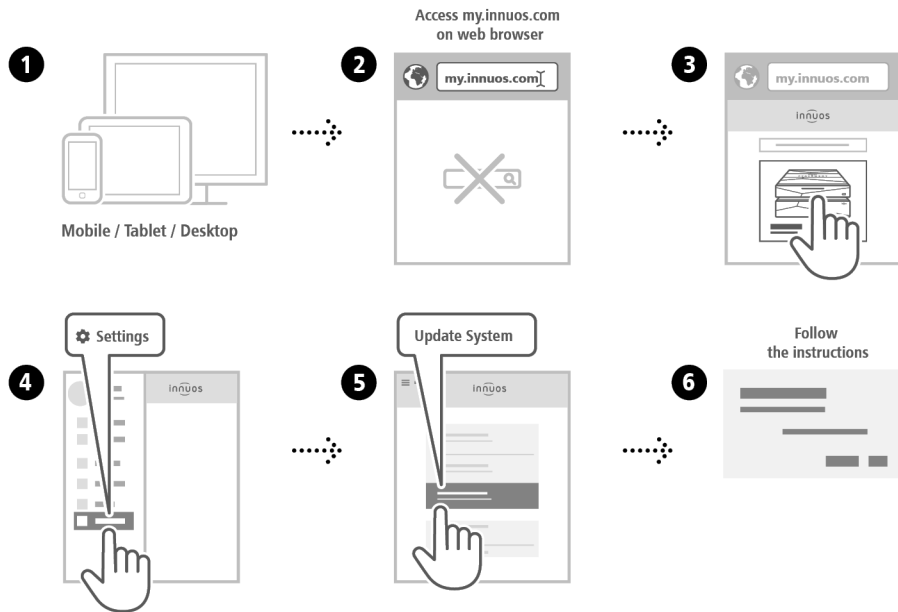


The Streamer Port provides a wired network connection for streamers, wireless speakers and other network audio products.

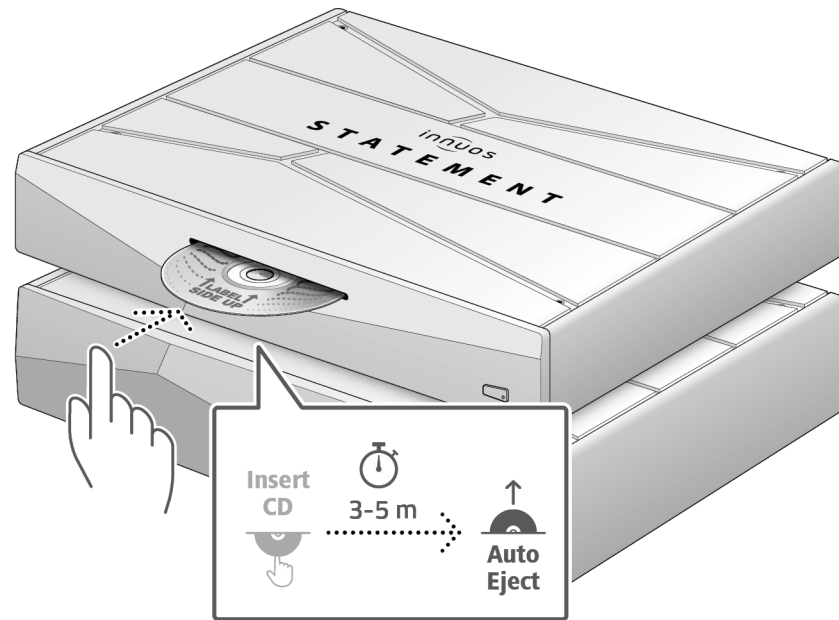


Please press and release. Do not hold the front power button down.



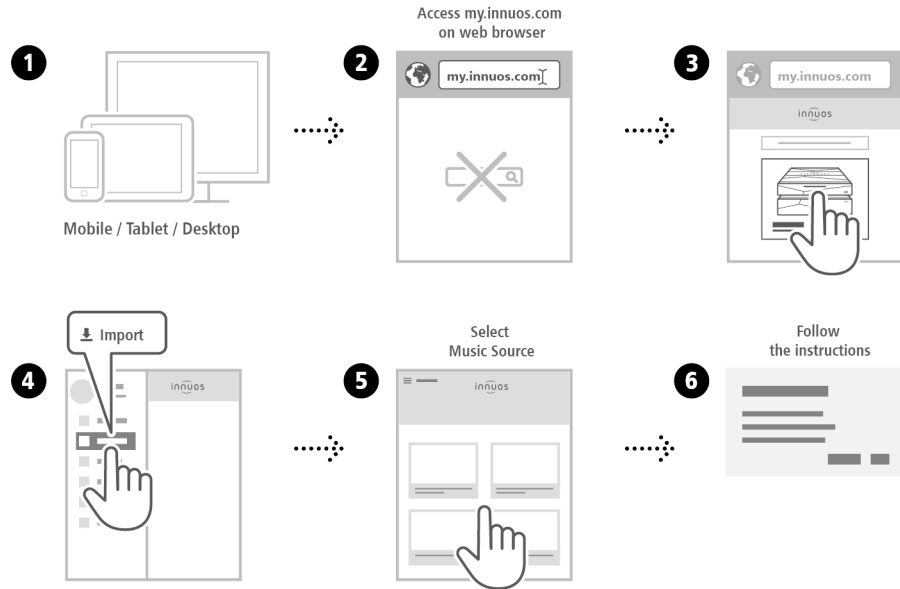


OPTION A Rip CDs

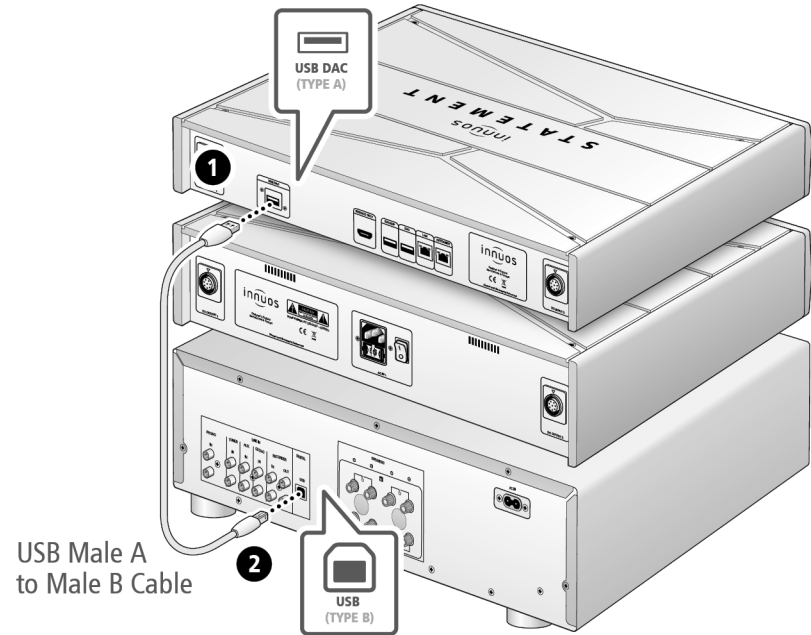


Do not push the CD while it is being drawn in as this may cause it to jam or damage the optical drive.

OPTION B Import Digital Music

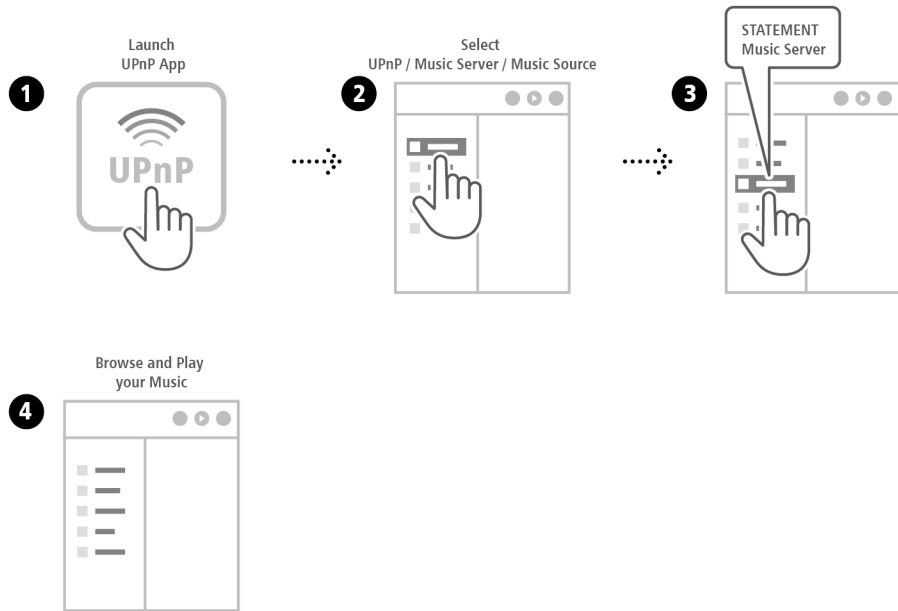


SETUP A Connect to a DAC/Amplifier via USB



Note: USB Cable not included. Requires DAC compatible with USB Audio Class 2.

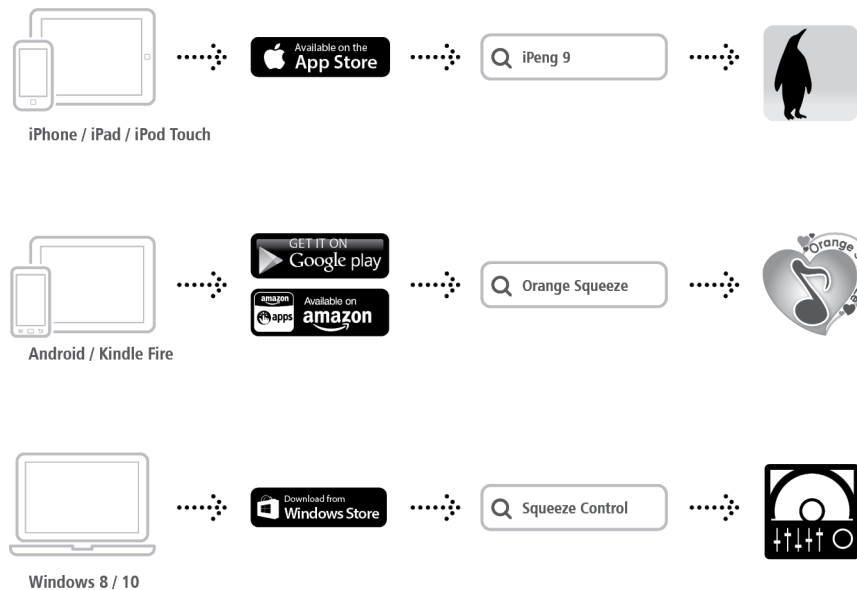
10 Connecting to a UPnP / DLNA system



The UPnP app is provided by the manufacturer of your streamer, ie. Bose, B&O, Naim, Bluesound, etc.

11 Using Player Apps

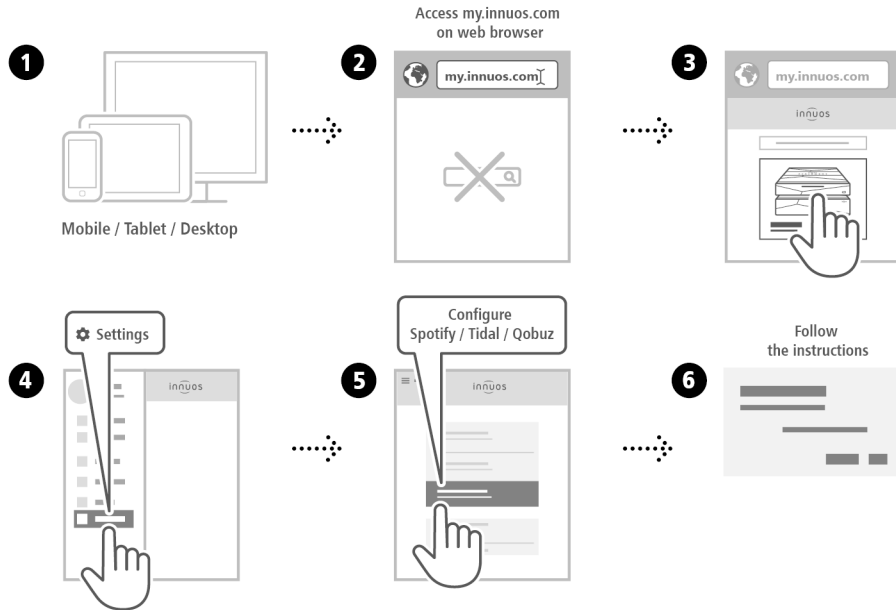
Recommended Remote Control App



These control apps are to be used when the server is connected as a player by USB.

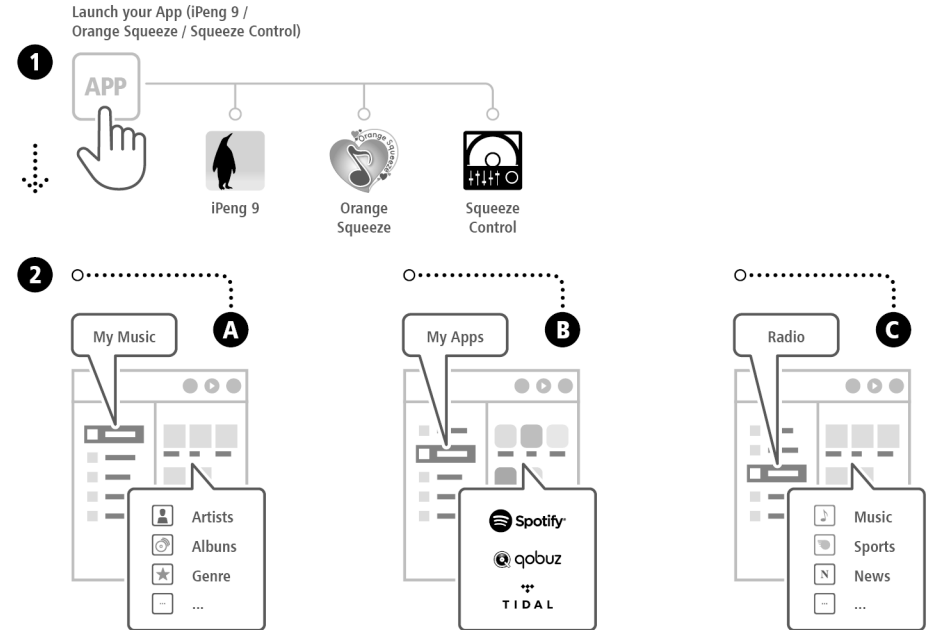


1 Setup Streaming Services (Optional)



Streaming Apps require a premium account subscription.

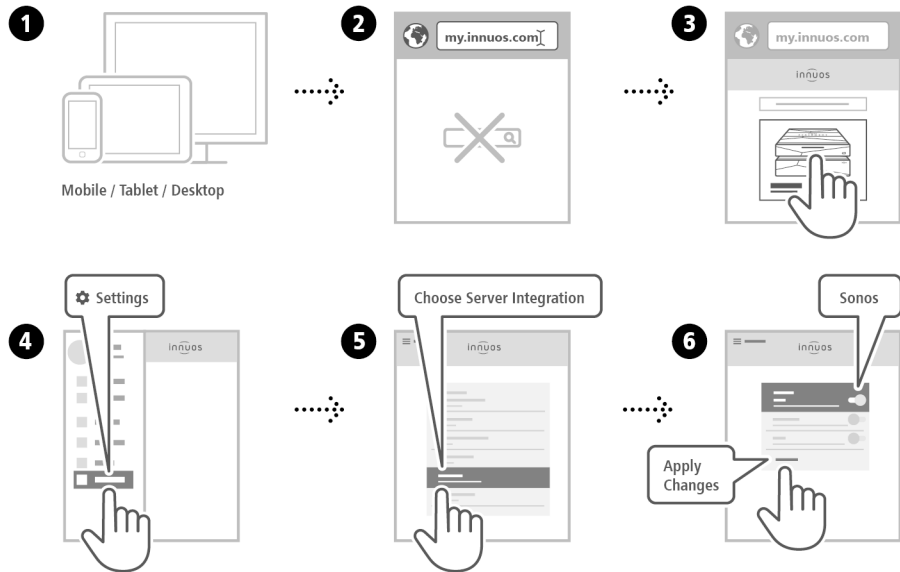
2 Play your music



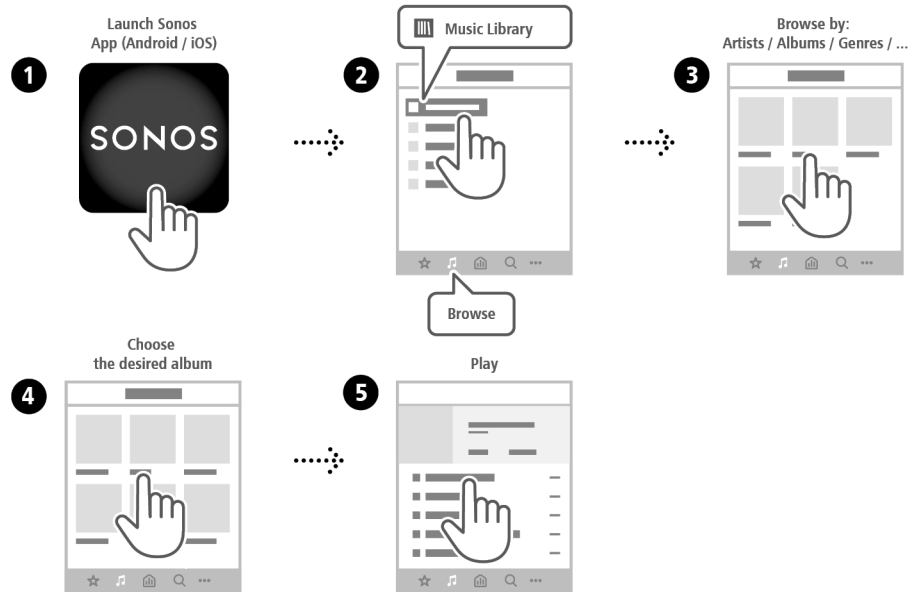
If the server is not found, please contact us at support@innuos.com



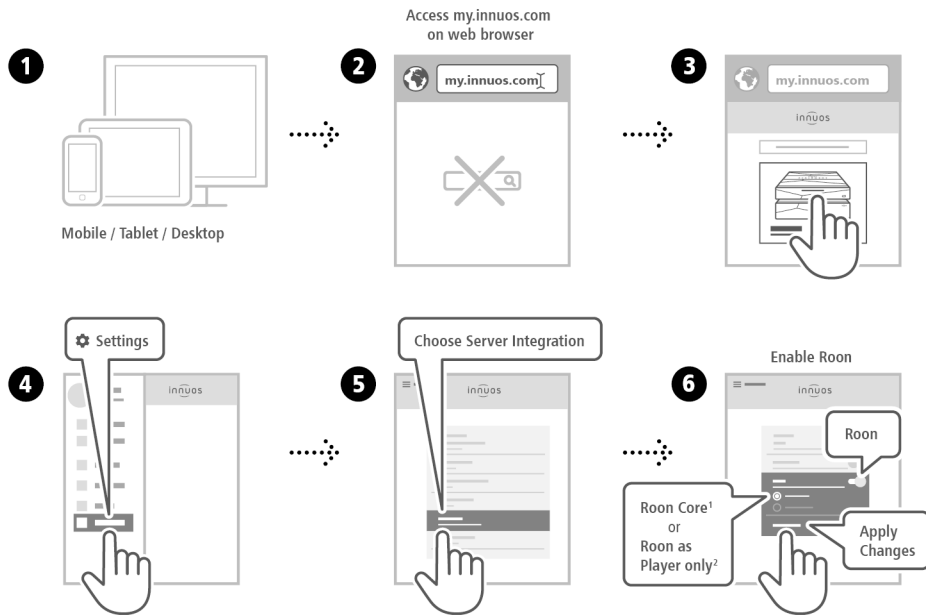
1 Setup



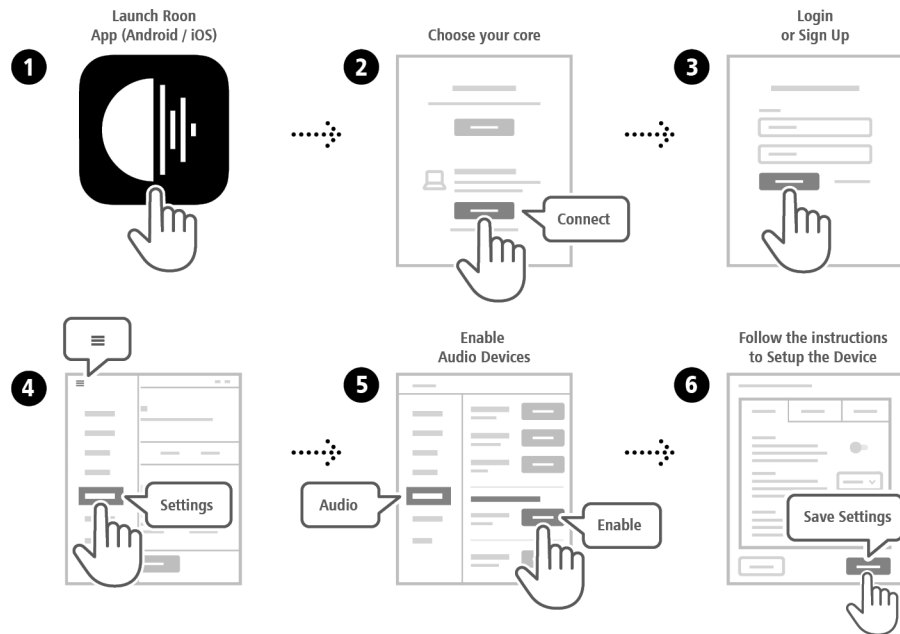
2 Play



1 Enable Roon on innuOS



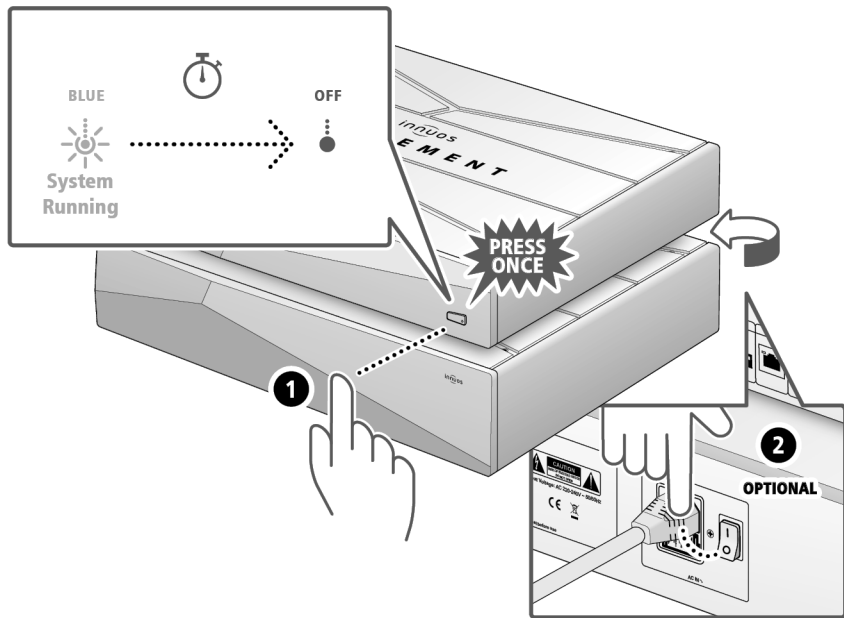
2 Setup Roon Core



¹**Roon Core:** Select if you want to use this server as Roon Server and Player.

²**Roon as Player only:** Select if you are running Roon Core on another system.





Please press and release. Do not hold the front power button down.

Notes: _____





For more information and for the latest version of this quick start guide please visit:

innuos.com/support